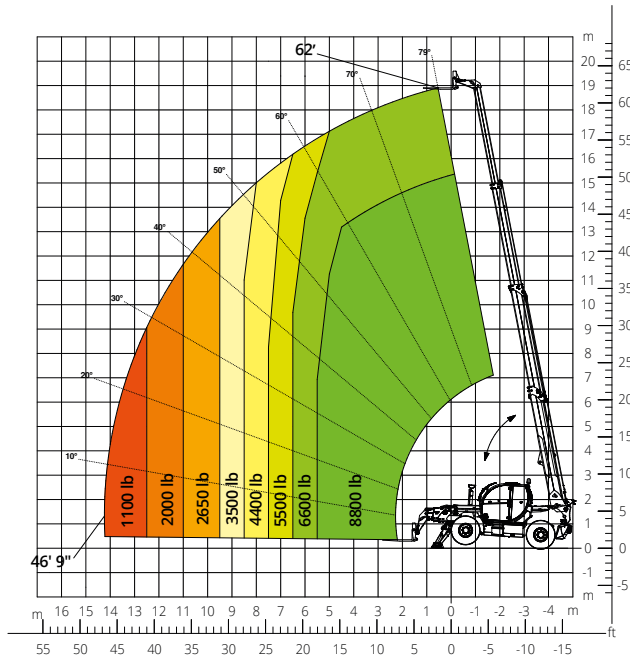


TH



9.62 SP



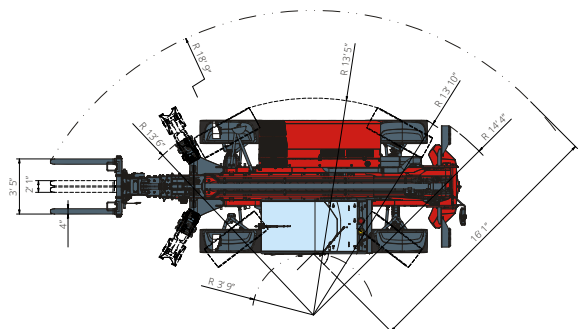
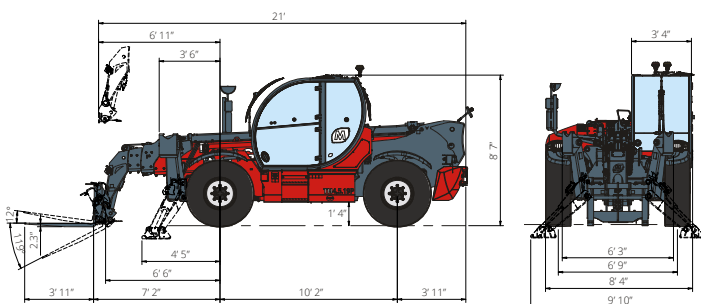
Load chart **on stabilizers**



CONSTRUCTION



LOGISTICS



| | | | |
|--|---|--|---------------------------------|
| Machine model | Telescopic handler | TH 9.62 SP | |
| | Maximum lifting capacity | 8,800 lb | |
| | Maximum lifting height | 62' | |
| | Maximum reach | 46' 9" | |
| Stabilisers | Type | Pivoting | |
| Engine | Model | Deutz TCD 3,6 L4 EDG Stage IIIA | Deutz TCD 3,6 L4 Stage V |
| | Rated power | 74.4 kW (101.2 hp) at 2,200 rpm | |
| | Maximum torque | 302 lb/ft at 1,600 rpm | |
| | Displacement | 219.7 in ³ | |
| | Cylinders | 4 in line | |
| | Engine configuration | Turbocharged direct injection diesel | |
| | Cooling system | Water – intercooler | |
| Transmission | Type | Hydrostatic | |
| | Maximum pressure | 530 bar | |
| | Gearbox | Dropbox, 2 speeds forward-reverse | |
| Axles and brakes | Type | Axles with planetary gearboxes | |
| | Front axle | Oscillating and steering with levelling, +/-8° | |
| | Rear axle | Free oscillation | |
| | No. of driving - steering wheels | 4WD - 4WS | |
| | Steering mode | Frontal/Concentric/Crab | |
| | Service brake | Wet multi-disk on front and rear axle | |
| | Parking brake | Hydraulic with negative action on front axle | |
| | Tyre sizes | 445/65 R22,5 | |
| Performance | Max. travel speed | 21 mph | |
| | Gradeability (unladen) | 61% | |
| | Turning radius (end of forks) | 18' 10" | |
| Weights | Total unladen* | 28,000 lb | |
| Tank and system capacities | Diesel fuel | 52.8 U.S. gal | |
| | AdBlue | 2.64 U.S. gal | |
| | Hydraulic fluid | 24.6 U.S. gal | |
| | Engine oil | 2.4 U.S. gal | |
| | Coolant | 5.3 U.S. gal | |
| Hydraulic circuit for movements | Circuit type | Gear pump | |
| | Service pump | Fixed displacement | |
| | Max. hydraulic flow rate | 23.7 U.S. gpm | |
| | Max. boom head flow rate | 18.5 U.S. gpm (OPT) | |
| | Max. operating system pressure | 280 bar | |
| | Distributor for boom movements | Electro-proportional valve | |
| | Movements control | 1 joystick with integrated manoeuvre enable | |
| Standard met | 2006/42/EC: EU Machinery Directive 2016/1628: EU Regulation on the emissions of stage V engines EN 1459-X: relating to standards on the safety requirements for variable-reach trucks ROPS/level 2 FOPS: relating to the standards for protective structures | | |

The data given in this brochure are provided for information purposes and are subject to change without prior notice.
All images are purely guideline and might not give an exact representation of the product.

*the stated weight refers to the vehicle unladen with standard equipment and may vary depending on the chosen configuration.