

TH

5,5.19 P



CONSTRUCTION



LOGISTICS



EVENTS AND
FILM



TH
5,5.19 P



CAB

Best-in-class
safety and visibility



PERFORMANCE

Unrivalled lifting
performance

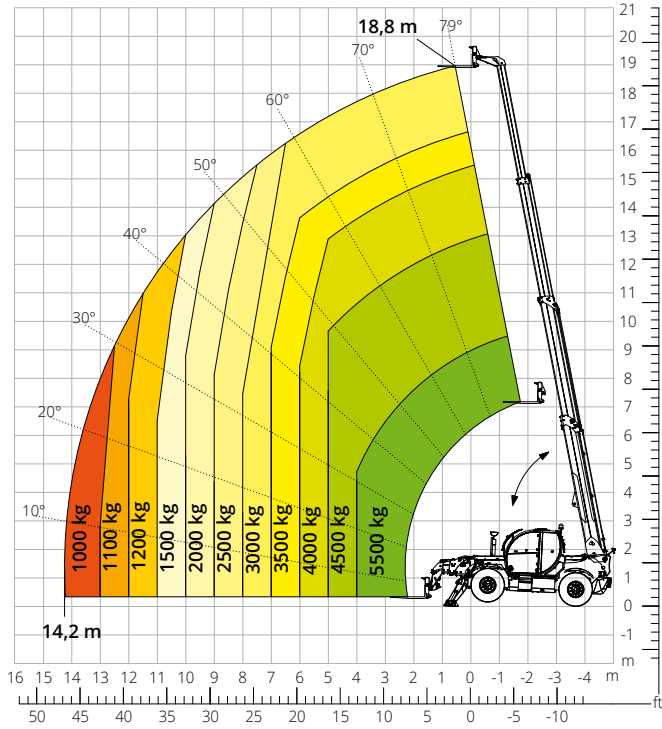


LOAD LIVE DIAGRAM

Two real-time dynamic
load charts

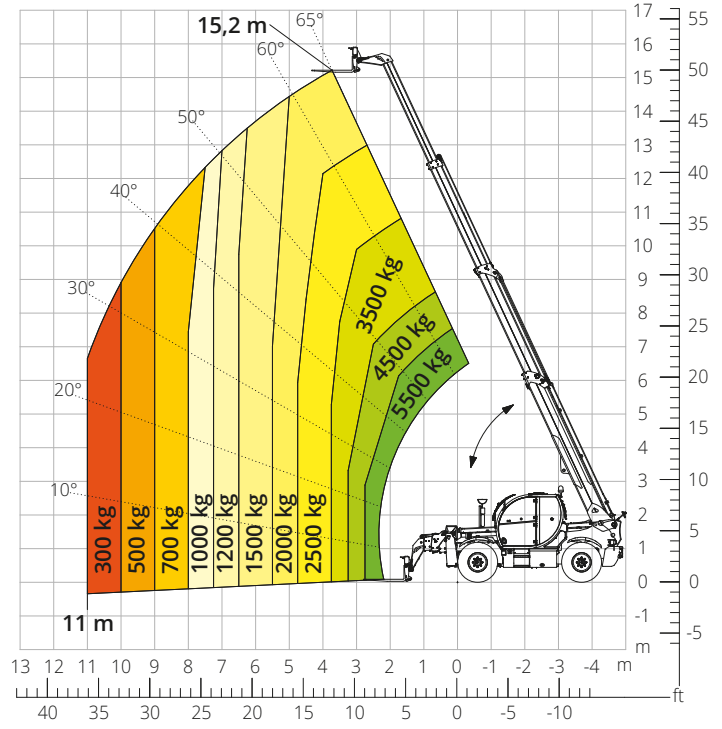
Load chart with
FULLY EXTENDED STABILISERS

ATT-03-040



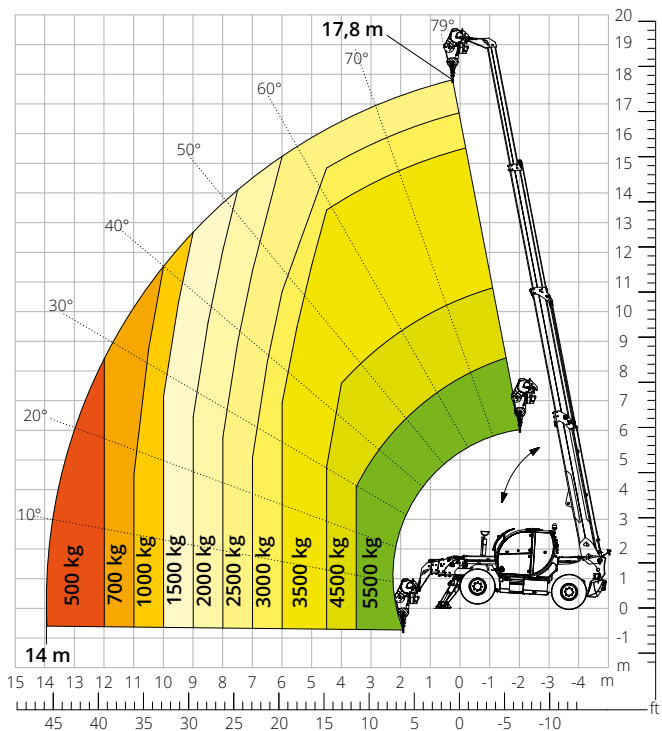
Load chart
FRONT ATTACHMENT ON TYRES

ATT-03-040



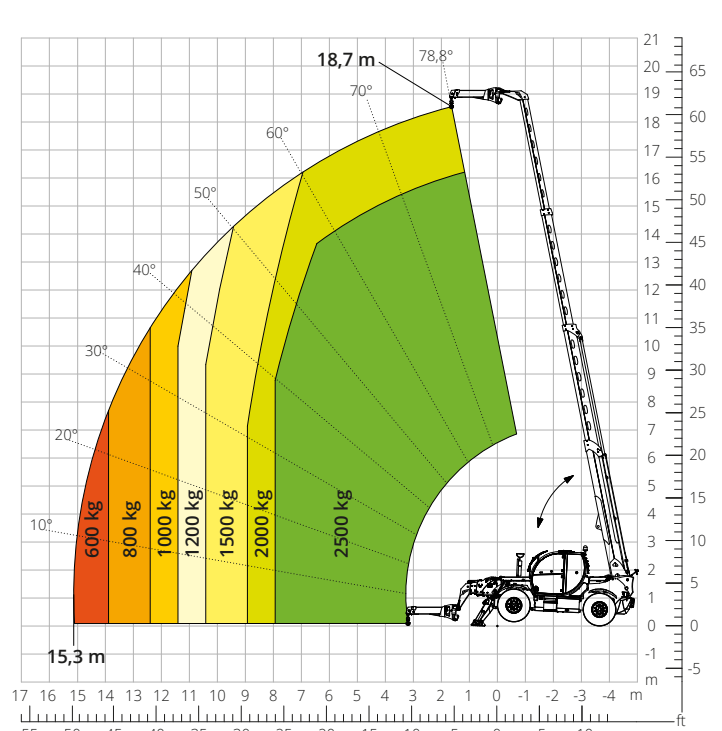
Load chart with
WINCH, 6,000 kg

ATT-02-004

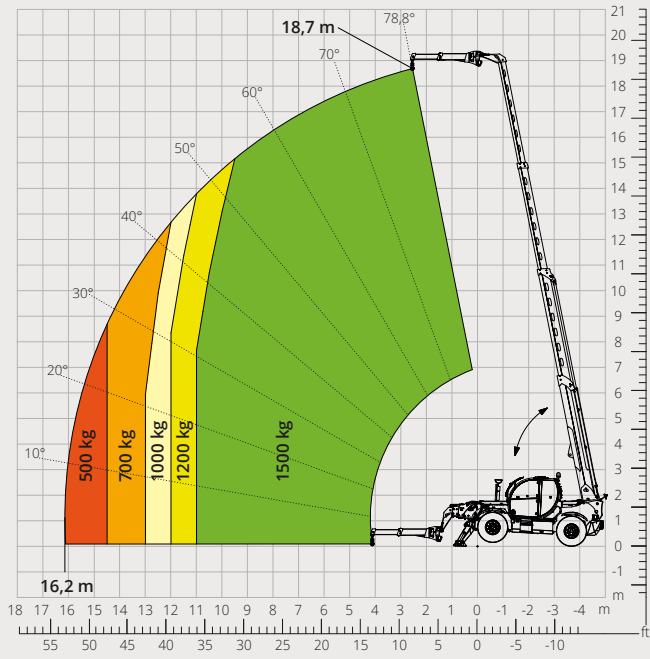


Load chart with
JIB WITH WINCH, 2,500 - 1,500 kg - CLOSED

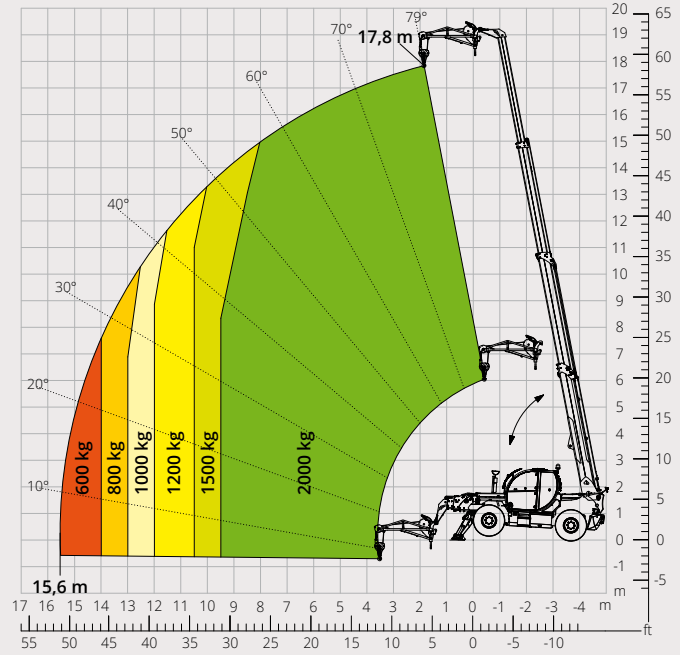
ATT-04-021



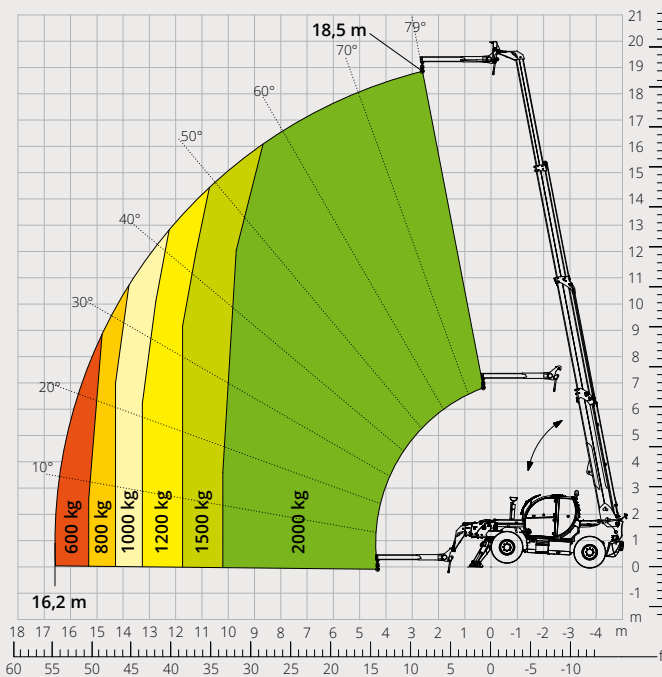
Load chart with
JIB WITH WINCH, 2,500 - 1,500 kg - OPEN
 ATT-04-021



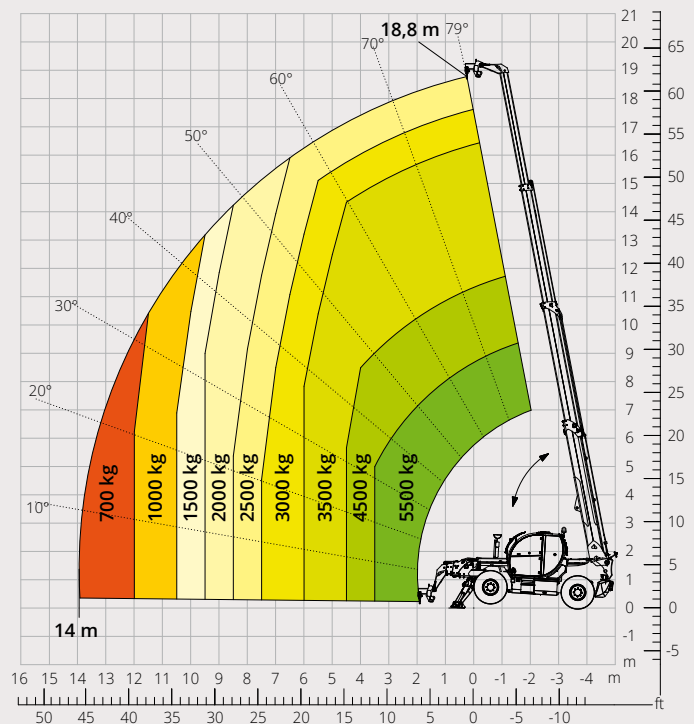
Load chart with
JIB WITH WINCH, 2,000 kg
 ATT-04-015



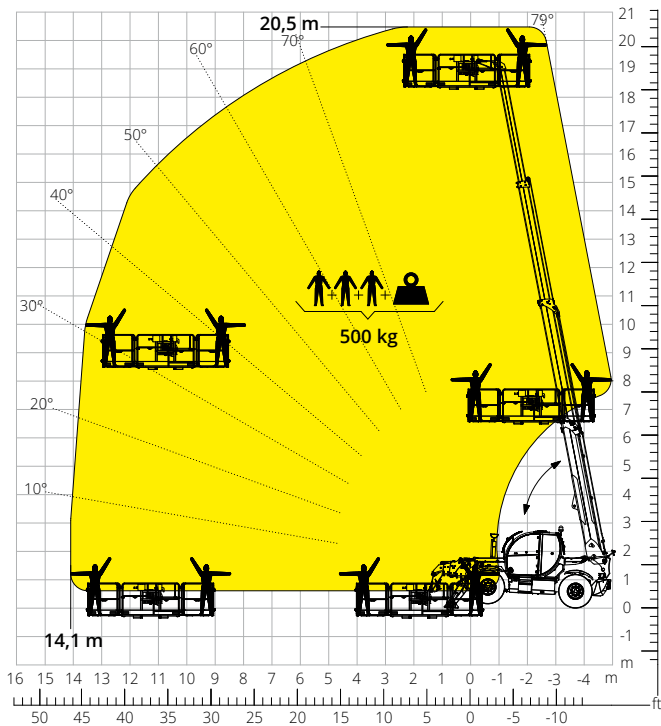
Load chart with
JIB, 2,000 kg
 ATT-04-013



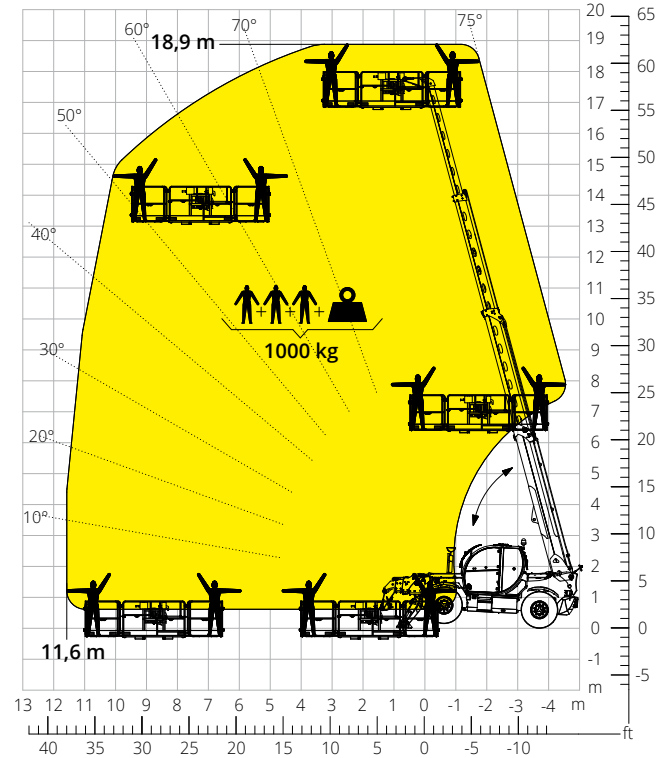
Load chart with
HOOK, 6,000 kg
 ATT-05-001



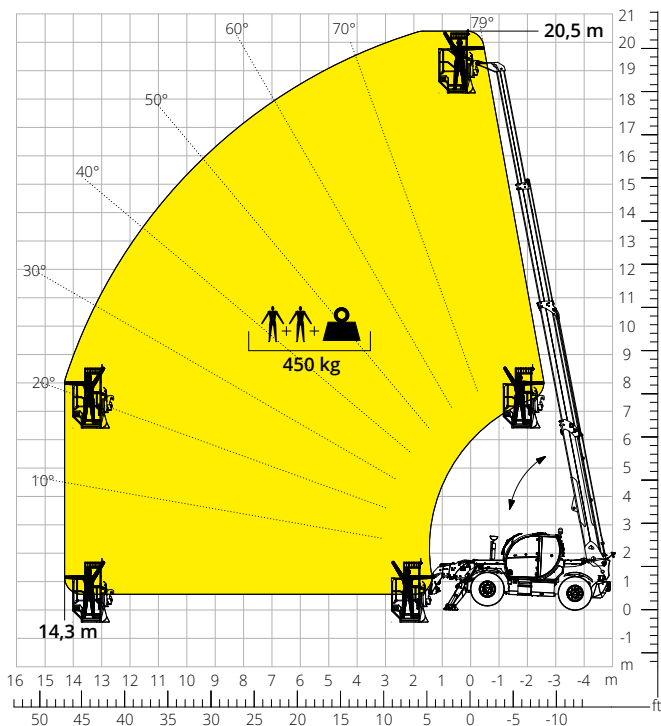
Load chart with
ROTATING EXTENDABLE PLATFORM,
500 kg
ATT-01-007



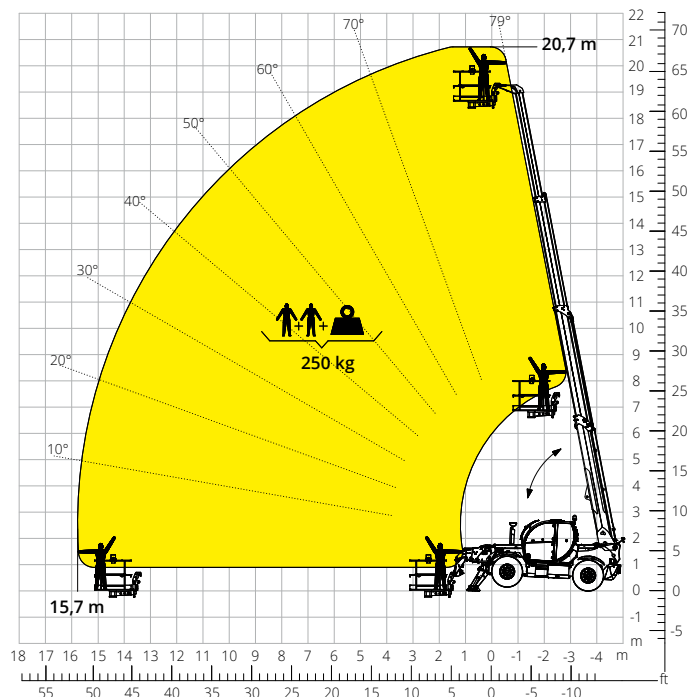
Load chart with
ROTATING EXTENDABLE PLATFORM,
1,000 kg
ATT-01-016



Load chart with
PLATFORM, 450 kg, FOR MINES
ATT-01-027



Load chart with
FIXED EXTENDABLE PLATFORM, 250 kg
ATT-01-003



	Telescopic handler	TH 5,5.19 P
Machine model	Maximum lifting capacity	5,500 kg
	Maximum lifting height	18.80 m
	Maximum reach	14.20 m
Stabilizer	Type	Pivoting
Engine	Model	Deutz TCD 3,6 L4 EDG - Stage IIIA Deutz TCD 3,6 L4 Stage V
	Rated power	74.4 kW (101.2 hp) at 2,200 rpm
	Maximum torque	410 Nm at 1,600 rpm
	Displacement	3,6 l
	Cylinders	4 in line
	Engine configuration	Turbocharged direct injection diesel
	Cooling system	Water – intercooler
Transmission	Type	Hydrostatic
	Maximum pressure	480 bar
	Gear box	Dropbox, 2 speeds forward-reverse
Axles and brakes	Type	Axles with planetary gearboxes
	Front axle	Oscillating and steering with levelling, +/-8°
	Rear axle	Oscillating and steering with hydraulic lock
	No. of driving/steering wheels	4WD - 4WS
	Steering mode	Frontal/Concentric/Crab
	Service brake	Wet multi-disk on front and rear axle
	Parking brake	Hydraulic with negative action on front axle
Performance	Tyres dimensions	445/65 R22.5
	Max. travel speed	35 km/h
	Gradeability (unladen)	55%
	Turning radius (end of forks)	5,710 mm
Weights	Total unladen*	13,500 kg
	Front axle unladen (boom retracted and lowered)*	5,700 kg
	Rear axle unladen (boom retracted and lowered)*	7,800 kg
Tank and system capacities	Fuel tank	200 l
	AdBlue	10 l
	Hydraulic oil tank	93 l
	Engine oil tank	9 l
	Cooling liquid	20 l
Hydraulic circuit for movements	Circuit type	Load sensing
	Service pump	Variable displacement
	Max. hydraulic flow rate	120 l/min
	Max. boom head flow rate	75 l/min
	Max. operating system pressure	350 bar
	Controls for boom movements	SIL 2 electro-proportional valve
	Movements control	1 joystick with integrated manoeuvre enable
Standard met	2006/42/EC: EU Machinery Directive	
	2016/1628: EU Regulation on the emissions of stage V engines	
	EN 1459-X: Relating to standards on the safety requirements for variable reach machines	
	EN 280-1/EN 280-2: standards relating to mobile elevating work platforms (if available)	
	ROPS/level 2 FOPS: relating to the standards for protective structures	

The data given in this brochure are provided for information purposes and are subject to change without prior notice.

All images are purely guideline and might not give an exact representation of the product.

*the stated weight refers to the vehicle unladen with standard equipment and may vary depending on the chosen configuration.

The standard machine configuration includes:

CAB

- Comfort seat with adjustable headrest
- Adjustable steering column
- Analogue joypad
- Adjustable sunblind
- Heating
- Air conditioning
- FM/AM radio with USB and Bluetooth connectivity
- Ambient LED lights
- USB Type-A and Type-C (5 V) inputs

REAL TIME INFORMATION

- Touchscreen, 7"
- MCTS – Magni Combi Touch System on-board software
- Automatic RFID tools recognition system
- LMI – Load Moment Indicator
- LLD – Live Load Diagram
- Onboard and remote integrated diagnostics

TECHNICAL SPECIFICATIONS

- Q-Fit standard
- Provision for platform
- Advanced three-line CAN BUS system
- Automatic levelling system for outriggers
- Automatic front and rear wheel alignment
- Automatic parking brake
- Mechanical battery cut-off in engine compartment
- Electrical system: 24 V – IP67

SERVICE

- Warranty: 24 months/2,000 hours