

ROUGH TERRAIN FORKLIFTS

FL

3,5A

PRELIMINARY



CONSTRUCTION



LOGISTIC

Model Identification	Model name	FL3,5A	
	Load Capacity - with STD WVM3,0	3,500 kg	
	Load center	500 mm	
	Power source	Diesel	
	Distance from the center of the front axle to the fork deck	600 mm	
Weight	Weight	6,150 kg	
	Weight on front axle (laden) / rear axle (laden)	8,320/1,330 kg	
	Weight on front axle (unladen) / rear axle (unladen)	2,720/3,430 kg	
Wheels	Tyres type	Pneumatic	
	Tyres brand	Exmile	
	Dimensions of front wheels	14-17.5-14PR	
	Dimensions of rear wheels	10,0/75-15,3	
	Number of wheels drive	4WD - 2X /2X	
Stage III engine	Model name ID	FL3,5 RT-Y/A	
	Engine brand and model	YANMAR 4TNE98	
	Engine cylinders/displacement	4/3319	
	Rated speed	2,300 rpm	
	Engine emission stage	Stage IIIA	
	Kw/(hp)	42.1 kW (56hp)	
Performances	Travel speed (laden/unladen)	23/25 km/h	
	Lifting speed (laden/unladen)	0.36/0.41 m/s	
	Lowering speed (laden/unladen)	0.4/0.45 m/s	
	Drawbar pull (laden)	4,900 daN	
	Gradeability (laden)	54 %	
	Transmission model	4F35S	
	Transmission type	Hydraulic - 3-speed Powershift	
	Axles type	Wet braking	
	Differential with automatic locking function	Electric differential lock by manual	
	Service brake	Hydraulic	
	Park brake	Mechanical	
	Battery	12 V	
	Others	Working hydraulic pressure for attachments	185 bar
		Oil flow rate for attachments	80 l/min
Noise level Lwa dB(A) guaranteed		WIP	

FULL COSTUMIZATION POTENTIAL

You can get max comfort even in extreme environments! Choose from a full list of options for your forklift from the sound-absorbing panel to the closed cab.

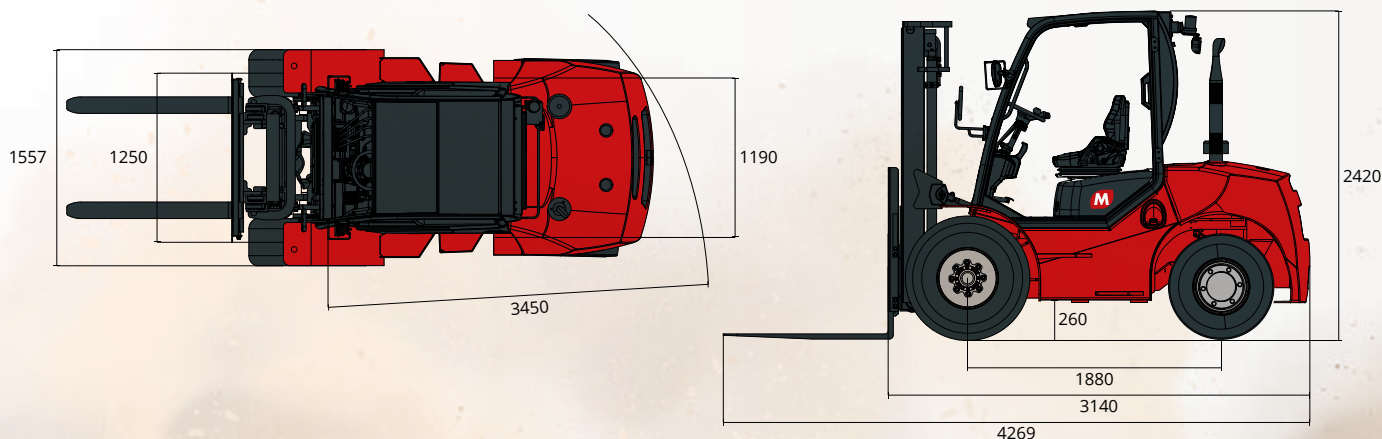
Get the best efficiency and versatility for your workday.



FULLY CLOSED CAB AVAILABLE AS AN OPTION

Customize your machine with a fully enclosed cabin, full-height doors, and an optional air conditioning and heating system for ultimate operator comfort and flexibility.

DIMENSIONS

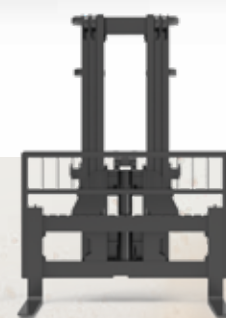
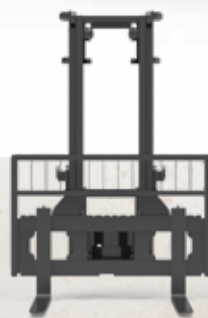


EXCEPTIONAL
OFF-ROAD TRACTION

EXCELLENT
MANEUVERABILITY

ROBUST
AND DURABLE MATERIALS

GREAT
LOAD CAPACITY
& LIFTING HEIGHT



MASTS

Type		Wide View			Triplex				
Model		M-FL-1001	M-FL-1002	M-FL-1003	M-FL-1004	M-FL-1005	M-FL-1006	M-FL-1007	M-FL-1008
Configuration		std	opt	opt	opt	opt	opt	opt	opt
Max. lifting height (mm)		3,000	3,700	4,000	4,000	4,300	4,500	4,700	5,000
Max. height (mm)	Lowered height	2,350	2,700	2,950	2,300	2,400	2,450	2,550	2,700
	Extended height without load backrest	3,993	4,693	4,993	5,025	5,325	5,525	5,725	6,025
Free lift height (mm)	Without load backrest	150	150	150	1,031	1,131	1,181	1,281	1,431
Front overhang (mm)		600	600	600	618	618	618	618	618
Tilting angle	Front	10	10	10	10	10	10	10	6
	Rear	12	12	12	12	12	12	12	6
Load Capacity (kg) 500 mm load center	ISO 22915-2	3,500	3,500	3,400	3,300	3,000	2,900	2,700	2,500
	ISO 22915-13	3,500	2,800	2,500	2,400	2,200	1,900	1,500	1,200

With Cascade fork positioner -300Kg on load capacity.

With Cascade sideshifter and fork positioner -500Kg on load capacity

FEATURES FL 3,5A

- OHG cabin
- Road lights front and rear
- Flashing amber beacon light
- Right & left rear view mirrors
- 4 valve and piping
- Tie-down rings
- Suspended seat
- Comfort armrest
- 4-inch LCD display
- Emergency stop button inside of the cabin
- Hourmeter
- Back-up buzzer
- Manual parking brake
- Seat belt interlock system predisposition (OPS needed if required)

OPTIONS FL 3,5A

- Front window with wiper
- Rear window with wiper
- Closed cabin
- Heater
- Air conditioning
- Noise insulating pad
- Super elastic tyre (replace standard tyres)
- Front solid tyres
- No marking tyres
- Front working light
- European standard 7-core waterproof socket
- 5th additional hose
- 5th additional valve
- Sparkle arrestor
- Blue signal light
- Panoramic spherical mirror
- Additional lockable main power switch inside of the cab
- Operator presence system (OPT) with alarm - CE 2023
- Operator presence system with engine inhibition - mandatory for Australia
- Customized painting
- Predisposition for road registration
- Fleet management - CAN-bus plug predisposition

FULL RANGE



FL 2,5A



FL 3,0A



FL 3,5A



FL 5,0A