



ES0607DC

Paved surface scissor lift

LIST OF STANDARD EQUIPMENT

- Automatic pothole protection system
- Crushing protection
- High ground clearance
- Self-locking door on the platform
- Speed limit at maximum height
- Platform load sense system
- Automatic braking system
- Emergency brake release
- Non-marking tyres
- Tilt indicator with alarm
- Warning siren during lowering and dual flashing LED light
- Safety bracket for maintenance operations
- Horn
- Cylinder locking valve
- Emergency stop button
- Emergency lowering
- Traction engine protection
- Anchoring eyebolts
- Onboard diagnostics system
- Hour counter
- Proportional controls
- Fold-down guardrails
- Power to platform
- Maintenance free battery
- Explosion-proof tubing system
- Motion Alarm
- Integrated holes for fork transport
- Charging protection system
- Charging indicator
- Tie-down and lifting points
- One way platform extension deck
- Two-wheel drive
- Two-wheel steering
- Manual emergency brake release



LOGISTICS



CONSTRUCTION

ES0607DC

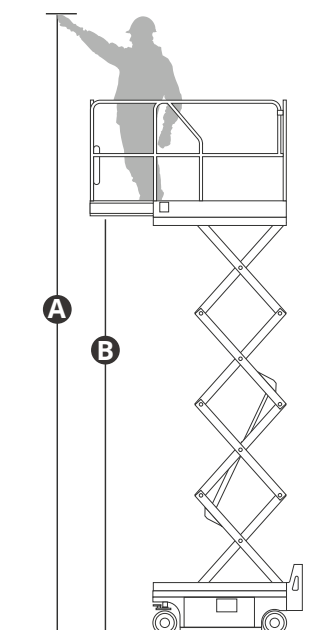
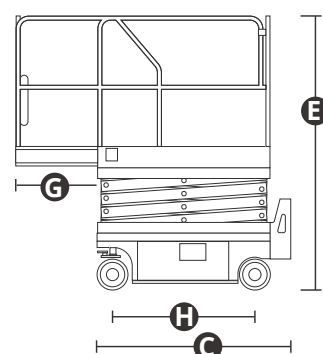
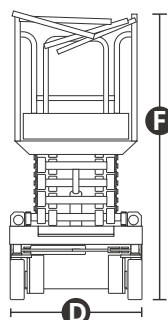
Load capacity		240 kg
Load capacity when extended		100 kg
Max no. Occupants (Indoor/outdoor)		2/1
Working height	A	5.6 m
Platform floor level height	B	3.6 m
Overall length	C	1.44 m
Overall width	D	0.76 m
Overall height (rails up)	E	1.99 m
Transport height (rails down)	F	1.62 m
Platform dimensions (length/width)		1.29x0.7 m
Platform extension	G	0.6 m
Ground clearance (stowed)		6 cm
Ground clearance (raised)		1.5 cm
Wheelbase	H	1.05 m
Turning radius (inside)		40 cm
Turning radius (outside)		1.55 m
Driving motors		2x24VDC/0.4kW
Lifting motors		24VDC/1.2kW
Travel speed (stowed)		4 km/h
Travel speed (raised)		0,6 km/h
Batteries		24 V/85 Ah AGM batteries maintenance free
Integrated battery charger		24V/15A
Gradeability		25%
Maximum working slope		1,5°/3°
Non-marking tyres		230x80 mm
Weight (CE)		920 kg



Non-marking solid tyres



Safety bracket



STANDARDS MET: EN 280-1, ANSI/SAIA A92.20

The data given in this brochure are provided for information purposes and are subject to change without prior notice. All images are purely guideline and might not give an exact representation of the product.