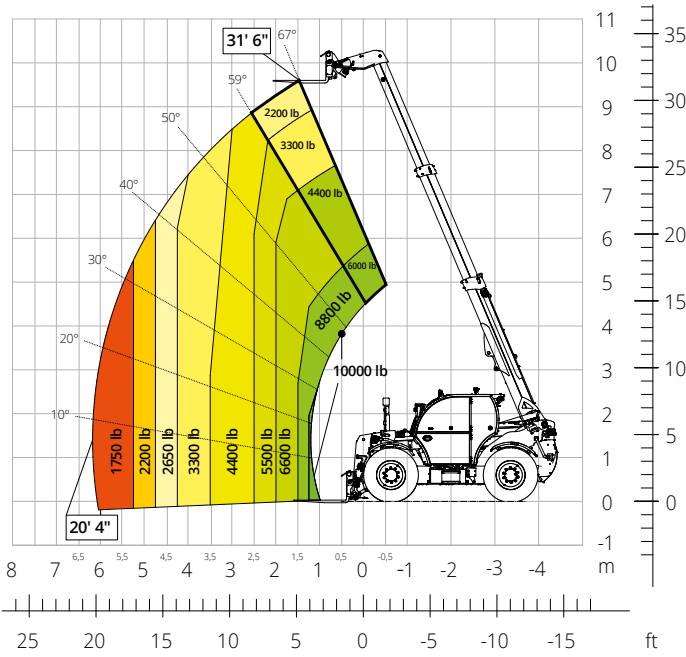


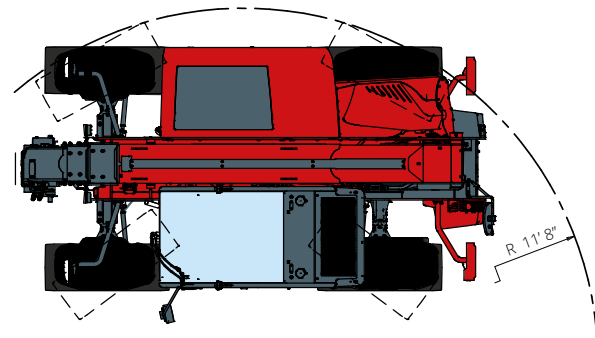
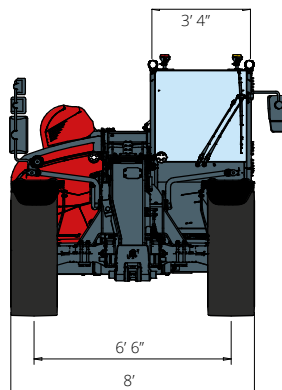
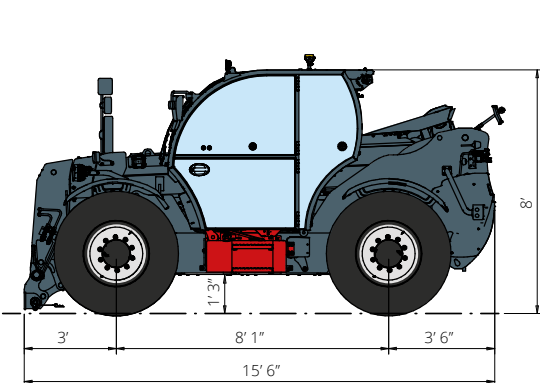
THA

10.31

PRELIMINARY



AGRICULTURE



| | | |
|--|---|--|
| Machine model | Telescopic handler | THA 10.31 |
| | Maximum lifting capacity | 10,000 lb |
| | Maximum lifting height | 31' 6" |
| | Maximum reach | 20' 4" |
| Engine | Model | FPT N45 Stage V |
| | Rated power | 125 kW (170 hp) at 2,200 rpm |
| | Maximum torque | 525 lb/ft at 1,500 rpm |
| | Displacement | 274.6 in ³ |
| | Cylinders | 4 in line |
| | Engine type | Turbocharged direct injection diesel |
| | Cooling system | Water – intercooler |
| Transmission | Type | Hydrostatic |
| | Maximum pressure | 510 bar |
| | Gearbox | Dropbox, 2 speeds forward-reverse |
| Axles and brakes | Type | Axles with planetary gearboxes |
| | Front axle | Steering |
| | Rear axle | Oscillating and steering |
| | Sideshift | - |
| | No. of driving wheels - steering wheels | 4WD - 4WS |
| | Steering modes | Frontal/Concentric/Crab |
| | Service brake | Wet multi-disk on front and rear axle |
| | Parking brake | Hydraulic with negative action on front and rear axles |
| | Tyre sizes | 460/70 R24 |
| Performance | Max. travel speed | 25 mph |
| | Turning radius (over tyres) | 12' 4" |
| | Tractive effort | 9,600 daN |
| Weights | Total unladen* | 19,800 lb |
| Tank and system capacities | Diesel fuel | 34 U.S. gal |
| | AdBlue | 5.3 U.S. gal |
| | Hydraulic fluid | 34 U.S. gal |
| | Engine oil | 3 U.S. gal |
| | Coolant | 7.9 U.S. gal |
| Hydraulic circuit for movements | Circuit type | Electronic load sensing |
| | Service pump | Variable displacement |
| | Max. hydraulic flow rate | 43.6 U.S. gpm |
| | Max. boom head hydraulic flow rate | 26.4 U.S. gpm |
| | Max. working pressure | 350 bar |
| | Distributor for boom movements | Compensated electro-proportional valve |
| | Movements control | 1 joystick with integrated manoeuvre enable |
| Road type approval | 167/2013: Mother Regulation | T1a |
| Standards met | 2006/42/EC: EU Machinery Directive 2000/14/EC: Noise Directive EN 1459-1: relating to standards on the safety requirements for variable-reach trucks EN 280-1: standards relating to mobile elevating work platforms (if available) 2014/30/EU: EMC Directive ROPS/level 2 FOPS: relating to the standards for protective structures | |

The data given in this brochure are provided for information purposes and are subject to change without prior notice.

All images are purely guideline and might not give an exact representation of the product.

*the stated weight refers to the vehicle unladen with standard equipment and may vary depending on the chosen configuration.