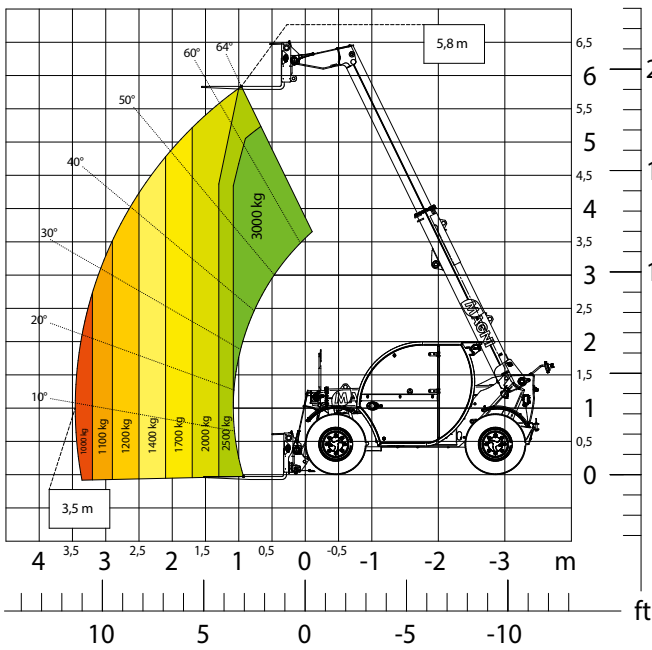


THA

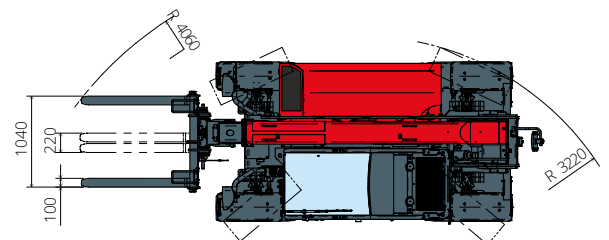
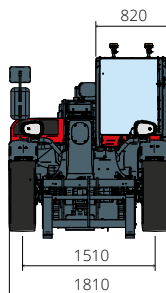
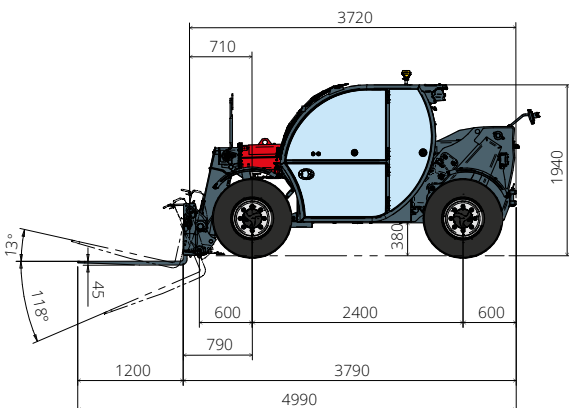


3.6

PRELIMINARY



AGRICULTURE



Machine model	Telescopic handler	THA 3.6
	Maximum lifting capacity	3,000 kg
	Maximum lifting height	5.80 m
	Maximum reach	3.20 m
Engine	Model	Deutz TD 2,9 L4 EDG Stage IIIA Deutz TD 2,9 L4 Stage V
	Rated power	55.4 kW (75.3 hp) at 2,600 rpm
	Maximum torque	260 Nm at 1,600 rpm
	Displacement	2.9 l
	Cylinders	4 in line
	Engine configuration	Turbocharged direct injection diesel
	Cooling system	Water
Transmission	Type	Hydrostatic
	Maximum pressure	500 bar
	Gearbox	Electronic 2 speeds forward and reverse
Axles and brakes	Type	Axles with planetary gearboxes
	Front axle	Steering
	Rear axle	Free oscillation
	Lateral shifting	-
	No. of driving/steering wheels	4WD - 4WS
	Steering mode	Frontal/Concentric/Crab
	Service brake	Wet multi-disk on front axle
	Parking brake	Hydraulic with negative action on front axle
	Tyres sizes	12.0/75 R18
Performance	Max. travel speed	35 km/h
	Turning radius (over tyres)	3,200 mm
	Tractive effort	4,300 daN
Weights	Total unladen*	5,000 kg
Tank and system capacities	Diesel fuel	65 l
	AdBlue	-
	Hydraulic fluid	85 l
	Engine oil	9 l
	Coolant	15 l
Hydraulic circuit for movements	Circuit type	Gear pump
	Service pump	Fixed displacement
	Max. hydraulic flow rate	87 l/min
	Max. boom head flow rate	75 l/m
	Max. operating system pressure	255 bar
	Controls for boom movements	Post-compensated electro-proportional valve
	Movements control	1 joystick with integrated manoeuvre enable
Standard met	2006/42/EC: EU Machinery Directive 2000/14/EC: Noise Directive EN 1459-1: Relating to standards on the safety requirements for variable reach machines EN 280-1: standards relating to mobile elevating work platforms (if available) 2014/30/EU: EMC Directive ROPS/FOPS level 1: relating to the standards for protective structures	

The data given in this brochure are provided for information purposes and are subject to change without prior notice.

All images are purely guideline and might not give an exact representation of the product.

*the stated weight refers to the vehicle unladen with standard equipment and may vary depending on the chosen configuration.