

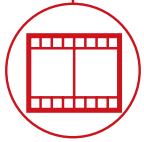
# RTH 22.120



CONSTRUCTION



LOGISTICS



EVENTS AND  
FILM



# RTH 22.120



## CAB

Best-in-class  
safety and visibility



## PERFORMANCE

Unrivaled lifting  
performance

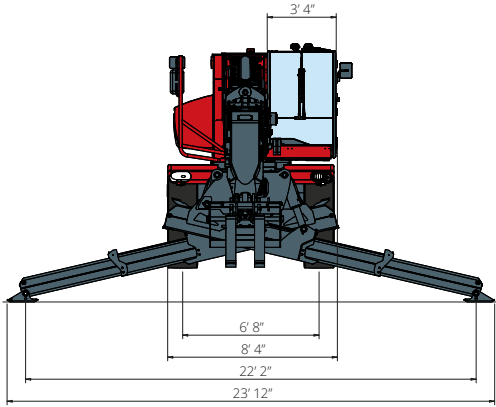


## LOAD LIVE DIAGRAM

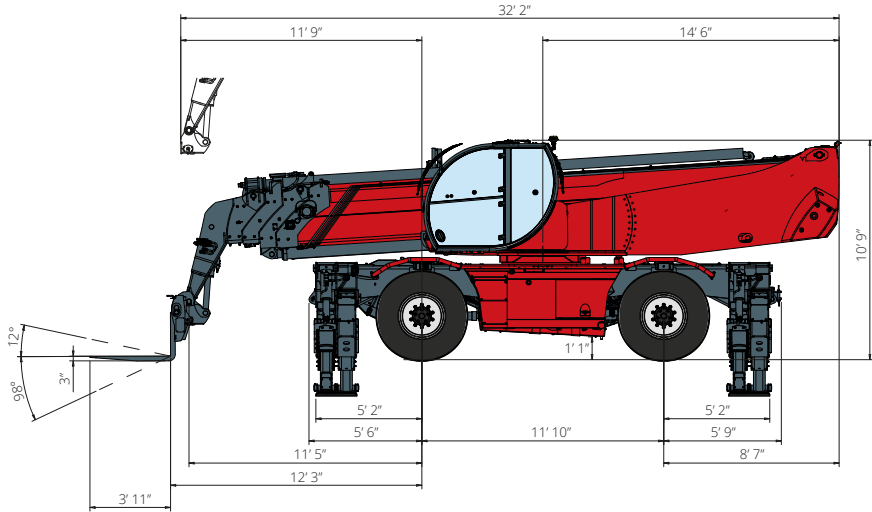
Three real-time dynamic  
load charts

# RTH 22.120

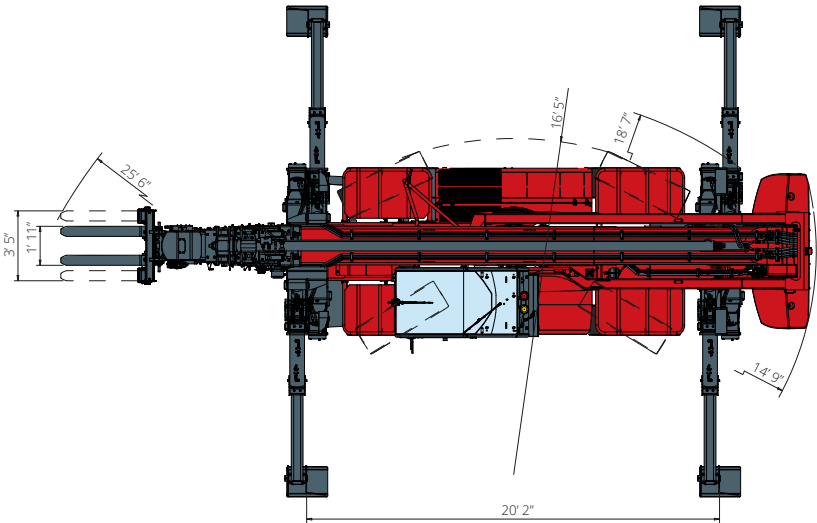
## DIMENSIONS (ft and in)



**FRONT**  
view

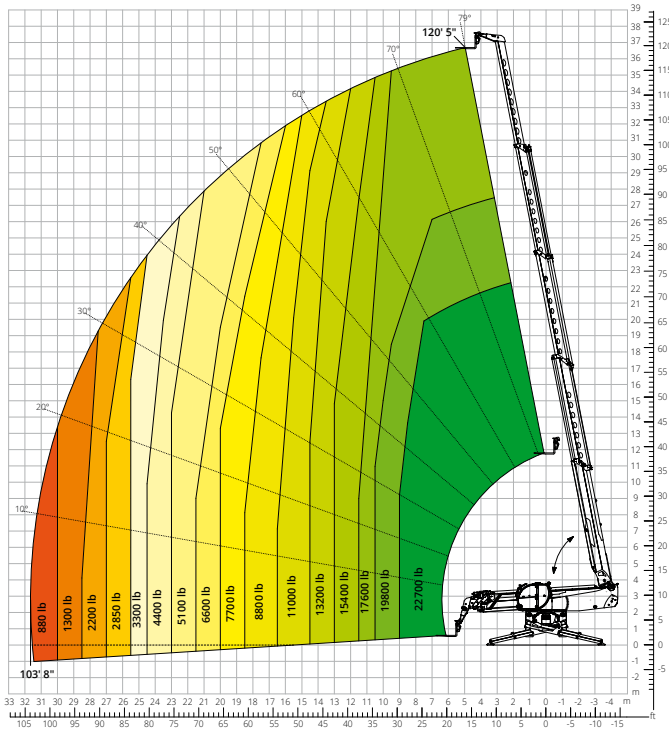


**SIDE**  
view

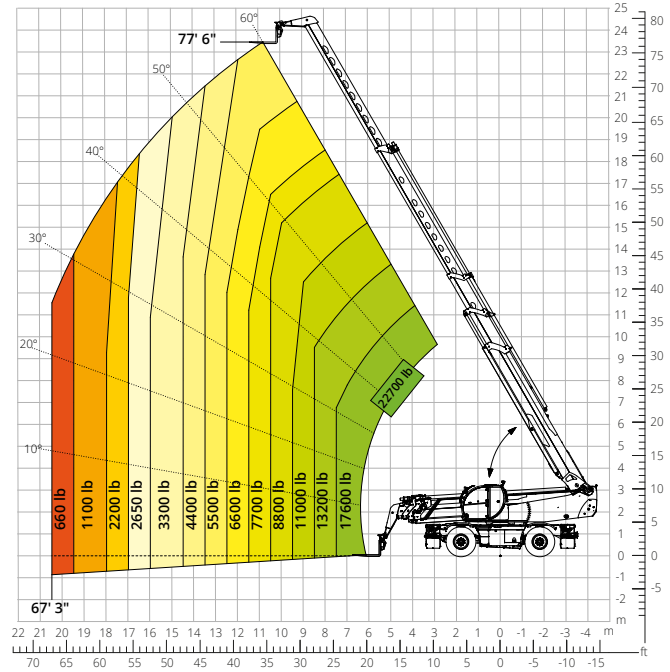


**TOP**  
view

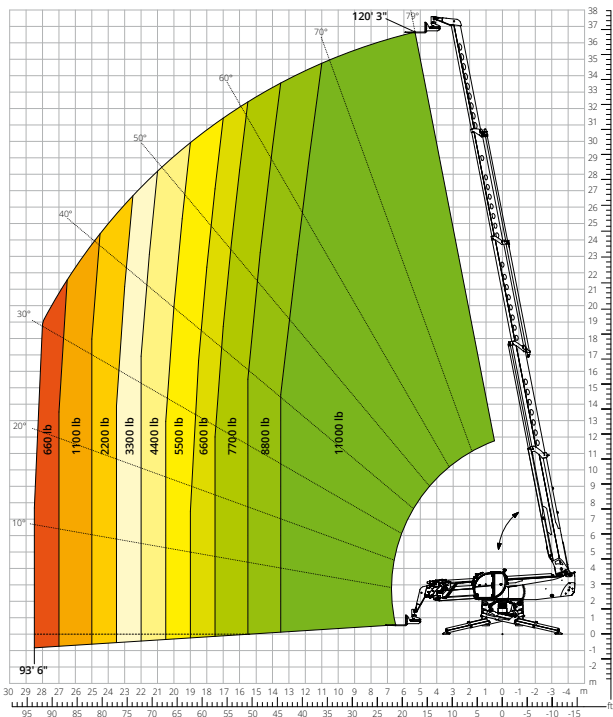
Load chart with  
**FULLY EXTENDED STABILIZERS (360°)**  
 ATT - 03 - 018



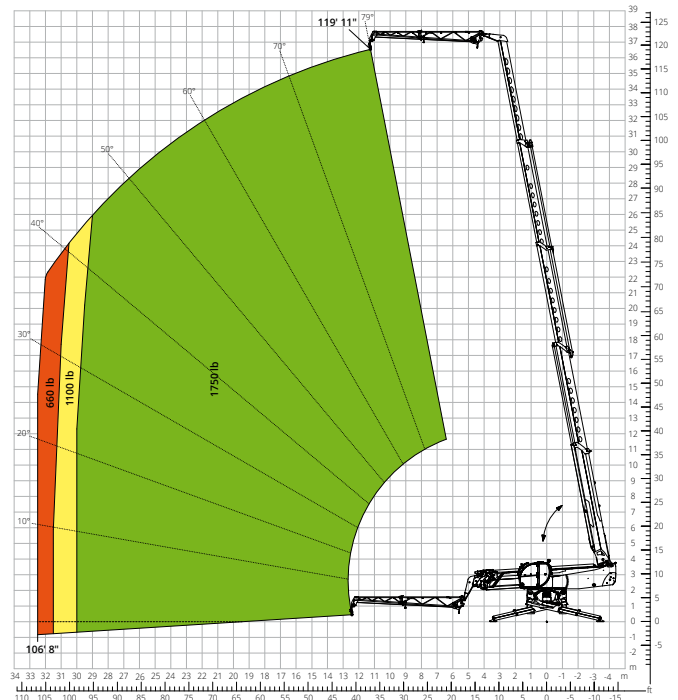
Load chart  
**FRONT ATTACHMENT ON TIRES**  
 ATT - 03 - 018



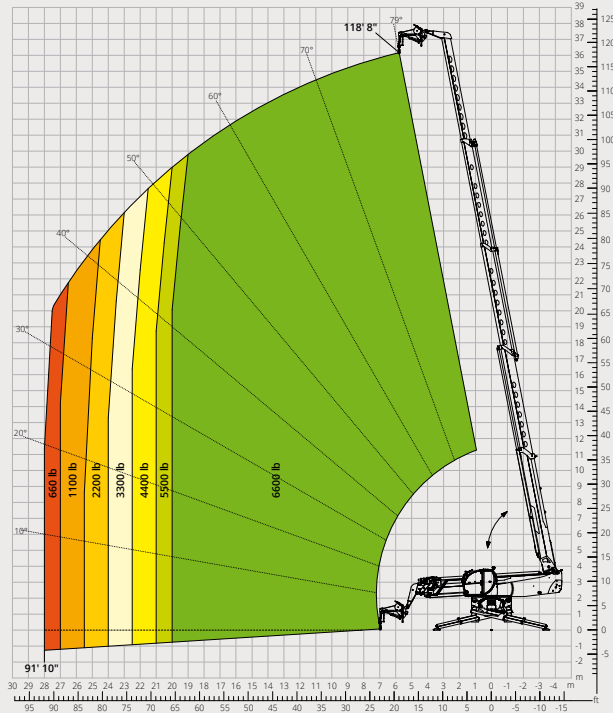
Load chart with  
**ROTATING FORKS, 11,000 lb**  
 ATT - 03 - 041



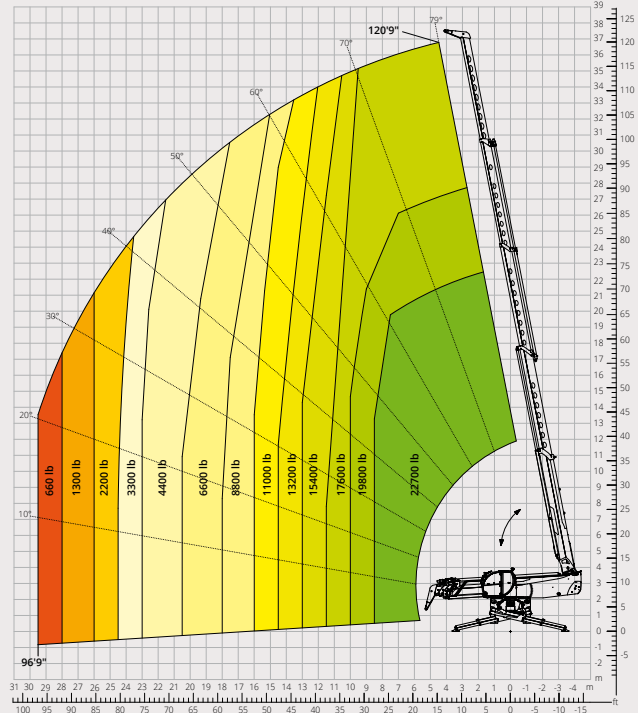
Load chart with  
**JIB WITH WINCH, 1,750 lb**  
 ATT - 04 - 005



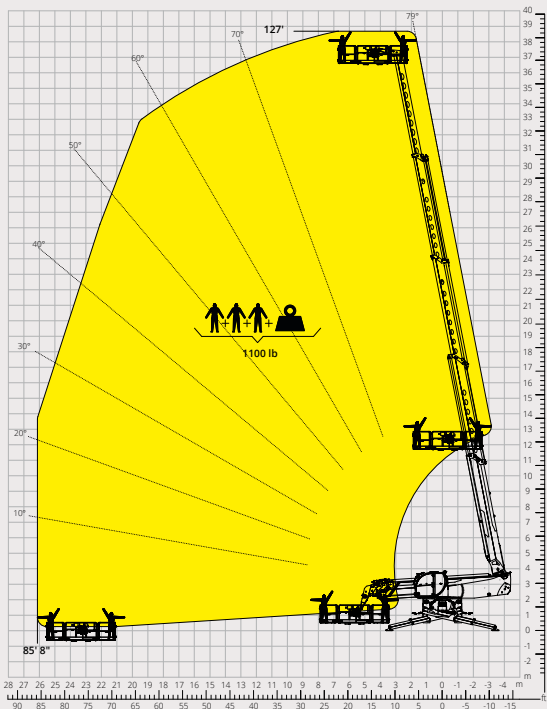
Load chart with  
**JIB WITH WINCH, 6,600 lb**  
 ATT - 04 - 019



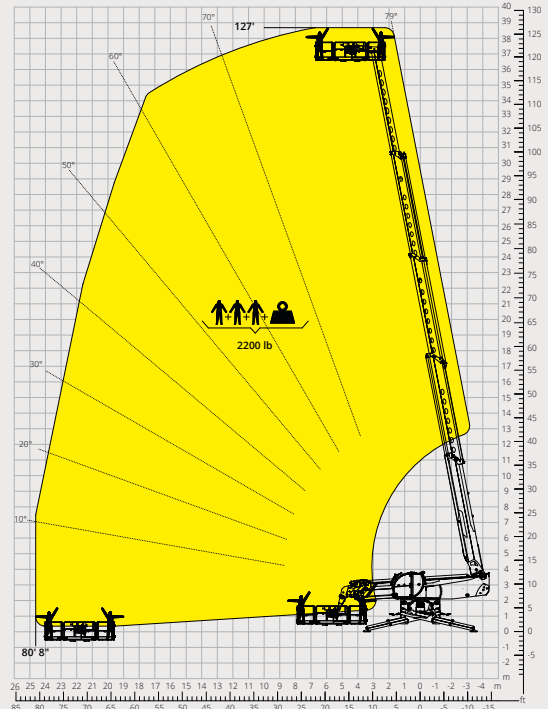
Load chart with  
**HOOK, 22,700 lb**  
 ATT - 05 - 005



Load chart with  
**ROTATING EXTENDABLE PLATFORM, 1,100 lb**  
 ATT - 01 - 005

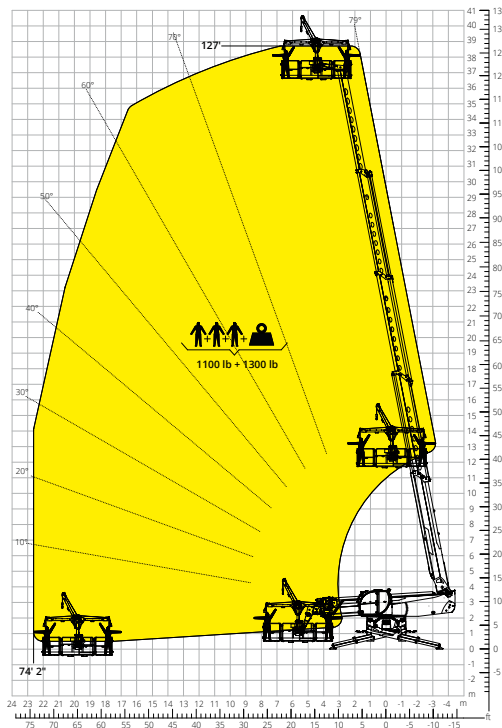


Load chart with  
**ROTATING EXTENDABLE PLATFORM, 2,200 lb**  
 ATT - 01 - 016



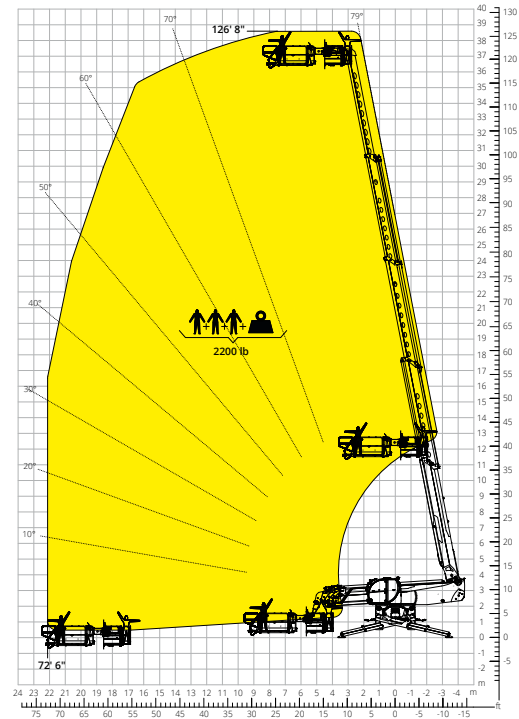
Load chart with  
**PLATFORM, 1,100 lb, WITH WINCH, 1,300 lb**

ATT - 01 - 026



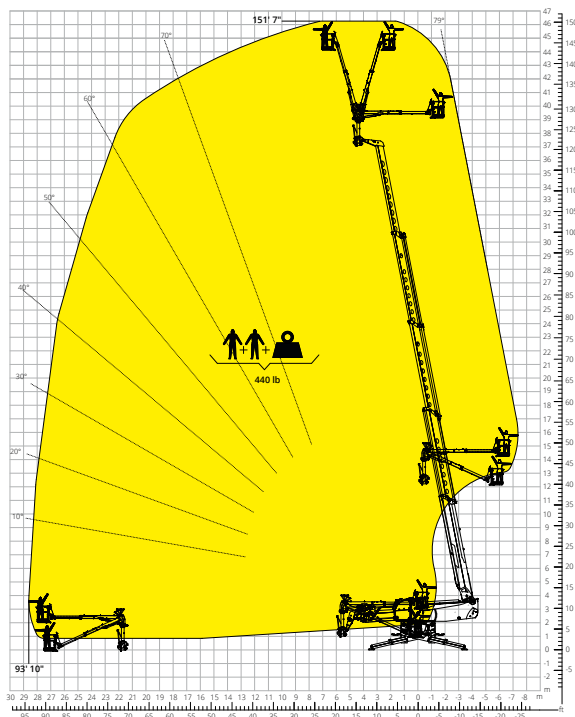
Load chart with  
**EXTENDABLE PLATFORM FOR ROOFS, 2,200 lb**

ATT - 01 - 020



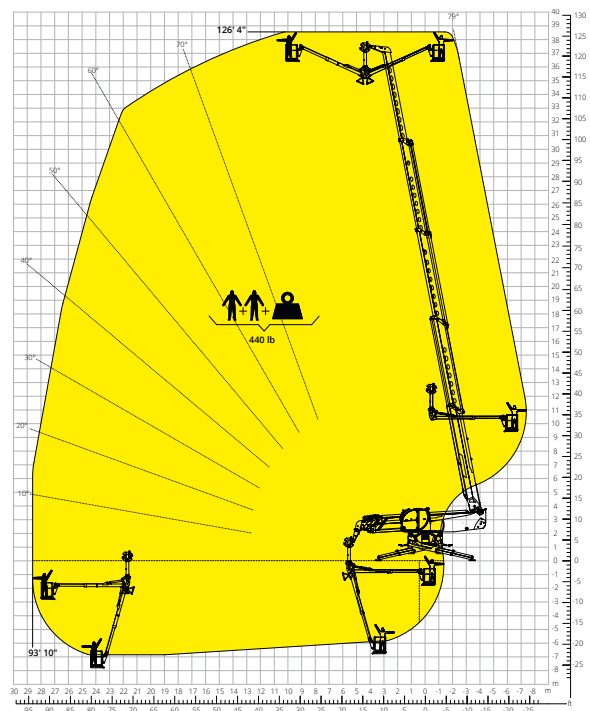
Load chart with  
**OVER-UNDER PLATFORM - POSITIVE**

ATT - 01 - 024



Load chart with  
**OVER-UNDER PLATFORM - NEGATIVE**

ATT - 01 - 024



	Rotating telescopic handler	RTH 22.120	
<b>Machine model</b>	Maximum lifting capacity	20,700 lb	
	Maximum lifting height	120' 5"	
	Maximum reach	103' 8"	
	Rotation	360° (continuous)	
<b>Stabilizers</b>	Type	Telescopic scissor	
<b>Engine</b>	Model	<b>Volvo TAD 552 VE Stage IIIA</b>	<b>Volvo TAD 583 VE Stage V</b>
	Rated power	160 kW (218 hp) at 2,200 rpm	175 kW (238 hp) at 2,300 rpm
	Maximum torque	671 lb/ft at 1,450 rpm	719 lb/ft at 1,380 rpm
	Displacement	313 in <sup>3</sup>	
	Cylinders	4 in line	
	Engine type	Turbocharged direct injection diesel	
	Cooling system	Water - intercooler	
<b>Transmission</b>	Type	Hydrostatic	
	Maximum pressure	480 bar	
	Gearbox	Dropbox, 2 speeds forward-reverse	
<b>Axles and brakes</b>	Type	Axles with planetary gearboxes	
	Front axle	Oscillating and steering with levelling, +/-8°	
	Rear axle	Oscillating and steering with hydraulic lock	
	No. of steering wheels	4WD - 4WS	
	Steering mode	Frontal/Concentric/Crab	
	Service brake	Wet multi-disk on front and rear axle	
	Parking brake	Hydraulic with negative action on front axle	
<b>Performance</b>	Tyre sizes	17.5 R25	
	Max. travel speed	16 mph	
	Gradeability (unladen)	39%	
	Turning radius (at forks)	25' 6"	
<b>Weights</b>	Total unladen*	81,350 lb	
<b>Tank and system capacities</b>	Diesel fuel	62 U.S. gal	62 U.S. gal
	AdBlue	-	10.56 U.S. gal
	Hydraulic fluid	82 U.S. gal	82 U.S. gal
	Engine oil	4.22 U.S. gal	4.22 U.S. gal
	Coolant	10.56 U.S. gal	10.56 U.S. gal
<b>Hydraulic circuit for movements</b>	Circuit type	Load sensing	
	Service pump	Variable displacement	
	Max. hydraulic flow rate	54.2 U.S. gpm	
	Max. boom head flow rate	26.4 U.S. gpm	
	Max. working pressure	350 bar	
	Distributor for boom and turret movements	SIL 2 electro-proportional valve	
	Movements control	Dual joystick with integrated manoeuvre enable	
<b>Standards met</b>	2006/42/EC: EU Machinery Directive		
	2016/1628: EU Regulation on the emissions of stage V engines		
	EN 1459-X: Relating to standards on the safety requirements for variable reach machines		
	EN 280-1/EN 280-2: standards relating to mobile elevating work platforms (if available)		
	ROPS/level 2 FOPS: relating to the standards for protective structures		

The data given in this brochure are provided for information purposes and are subject to change without prior notice.  
 All images are purely guideline and might not give an exact representation of the product.  
 \*the stated weight refers to the vehicle unladen with standard equipment and may vary depending on the chosen configuration.

## The standard machine configuration includes:

### CAB

- Premium tilting seat with air suspension and headrest
- Adjustable steering column
- Analogue joypad
- Adjustable sunblind
- Heating
- Air conditioning
- FM/AM radio with USB and Bluetooth connectivity
- Ambient LED lights
- USB Type-A and Type-C (5 V) inputs

### REAL TIME INFORMATION

- Touchscreen, 12"
- MCTS – Magni Combi Touch System on-board software
- Automatic RFID tools recognition system
- LMI – Load Moment Indicator
- LLD – Live Load Diagram
- Onboard and remote integrated diagnostics
- Reversing camera with image integrated in the MCTS

### TECHNICAL SPECIFICATIONS

- Q-Fit standard
- Provision for platform
- Advanced three-line CAN BUS system
- Automatic levelling system for outriggers
- Automatic front and rear wheel alignment
- High-precision turret rotation motor by Liebherr
- Automatic parking brake
- Mechanical battery cut-off in engine compartment
- Electrical system: 24 V – IP67

### SERVICE

- MyMagni by Trackunit connectivity system (free of charge on request)
- Warranty: 24 months/2,000 hours